



# Freezer 13 / 13 CO / 13 LE

## Welcome Guide



support.arctic.ac/f13



support.arctic.ac/f13co



support.arctic.ac/f13le

Dear Customer,

Thank you for choosing the ARCTIC's Freezer 13.

In order to assist you better, we launched a support platform for Smartphones (support.arctic.ac).

I hope you enjoy this compact and quiet CPU cooler and we at ARCTIC look forward to further enriching your life with our products. If you would like to share how you use ARCTIC's products please do so at <https://www.facebook.com/ARCTIC.en>

ARCTIC is a fully carbon neutral company and your support helps us to compensate every kilogram of CO<sub>2</sub> we produce. Thank You.

Sincerely,

Magnus Huber  
ARCTIC CEO

### Accessories

#### Intel

Ⓐ Screws  
(M3, 12 mm)  
x 2



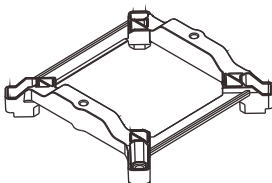
Ⓑ Push pins  
x 4



Ⓒ Push pins  
x 4



Ⓓ Mounting plate x 1

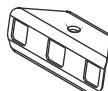


#### AMD

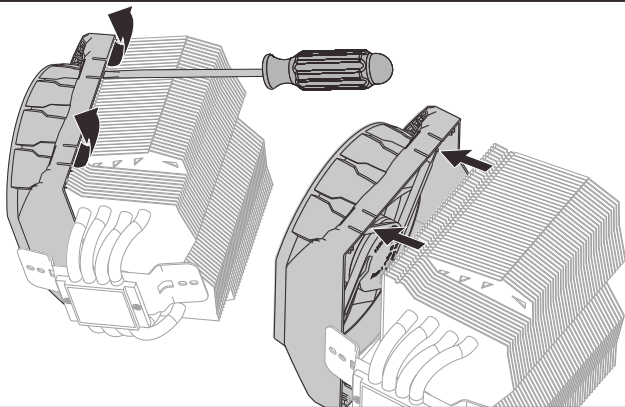
Ⓔ Screws (M3, 6 mm) x 2



Ⓕ Lugs x 2

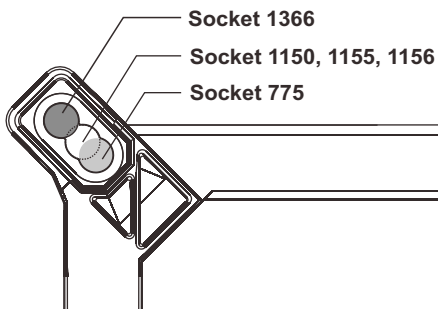


## Preparation

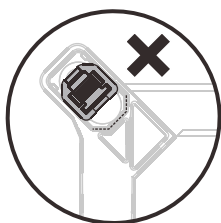
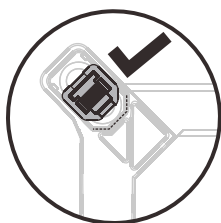
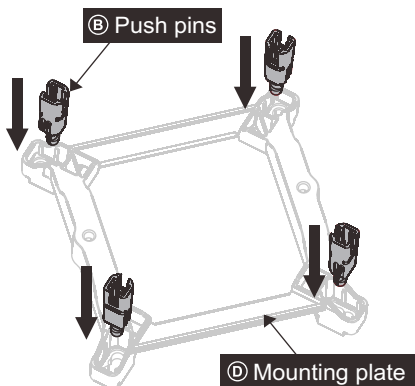


## For Intel Sockets

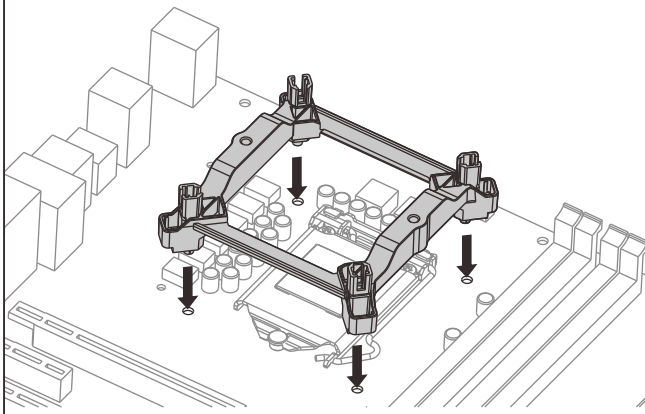
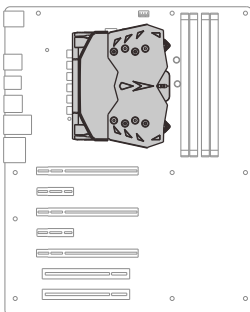
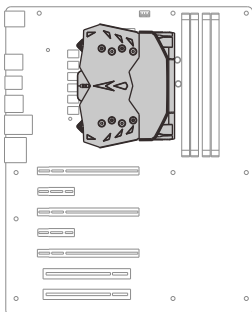
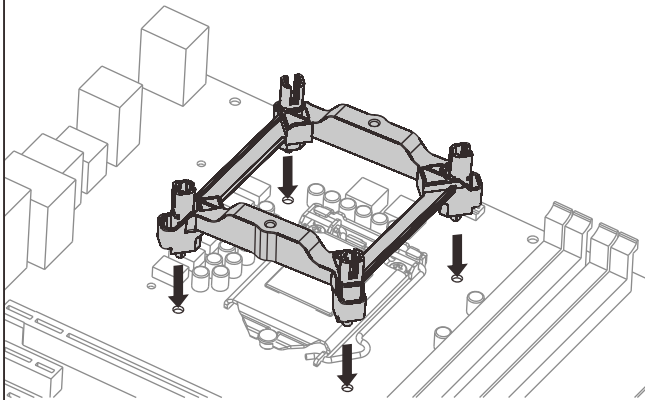
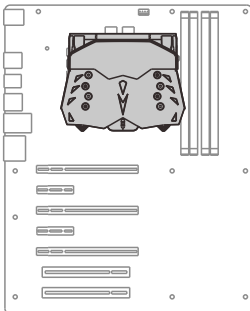
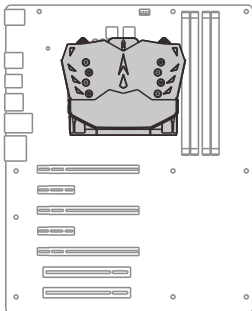
1

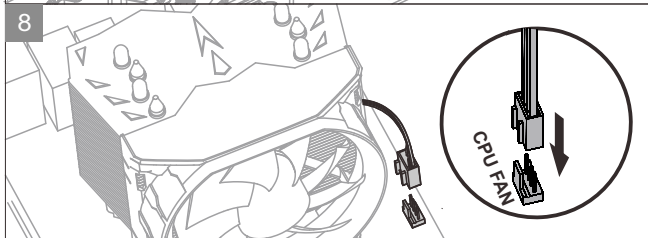
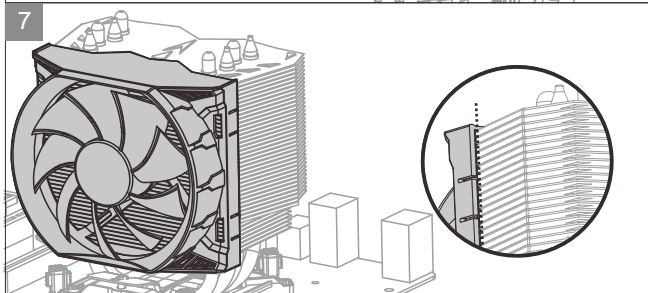
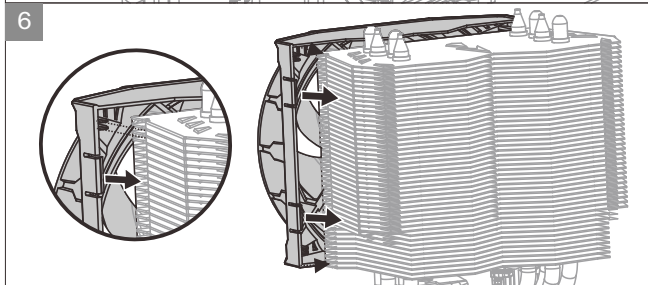
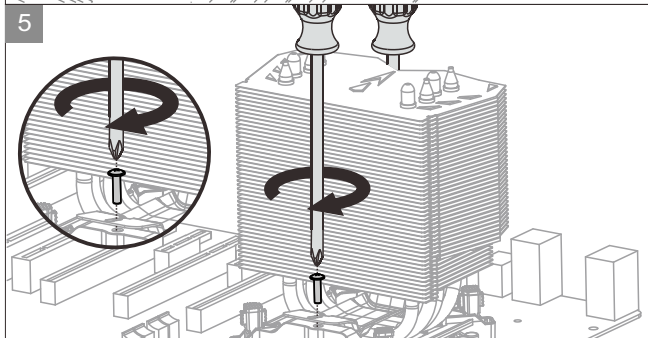
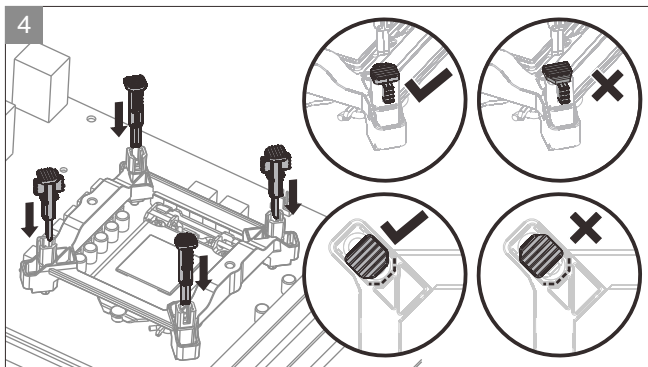


2



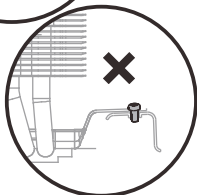
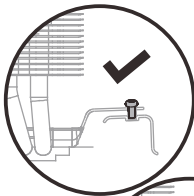
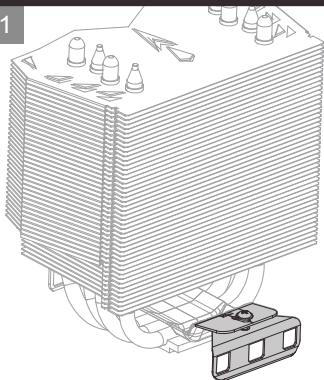
### 3 Choose your Orientation



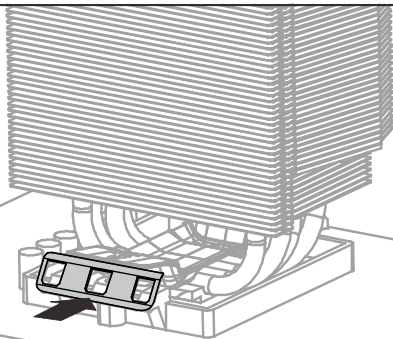
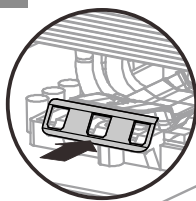


# For AMD Sockets

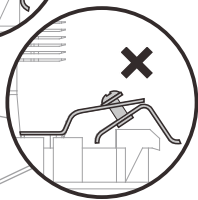
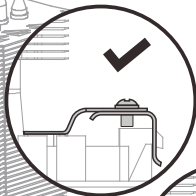
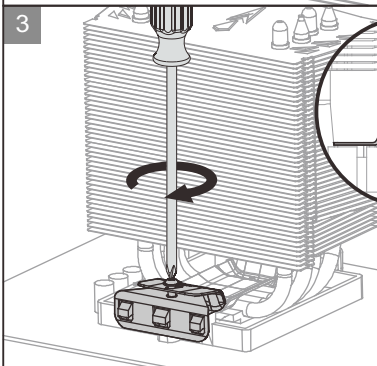
1



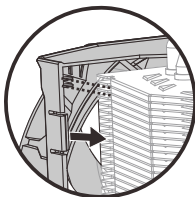
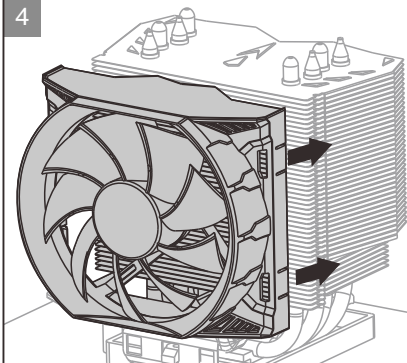
2

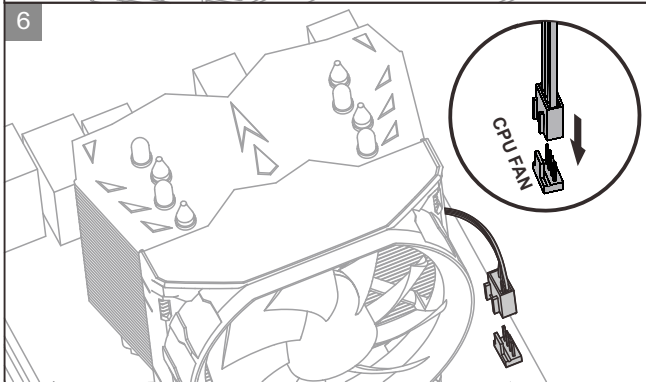
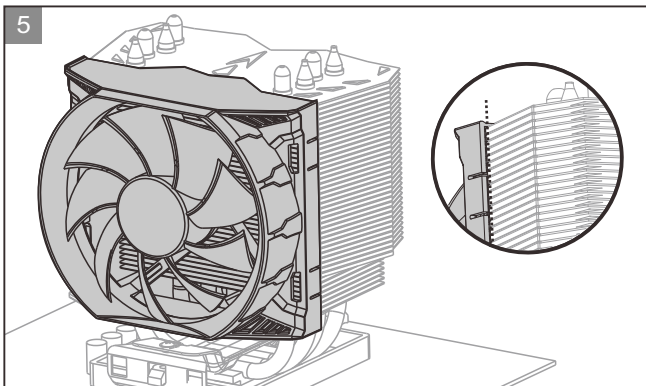


3



4





**Thermal Compound**

If the cooler has to be installed a second time, we highly recommend using the MX-4 thermal compound from ARCTIC. Only this compound guarantees optimal performance in combination with the surface of our heatsinks.

**Warranty**

This ARCTIC product includes a six-year limited warranty. For further information, please visit [warranty.arctic.ac](http://warranty.arctic.ac)

