

# P8 PWM



## Pressure-optimised 80 mm Fan with PWM



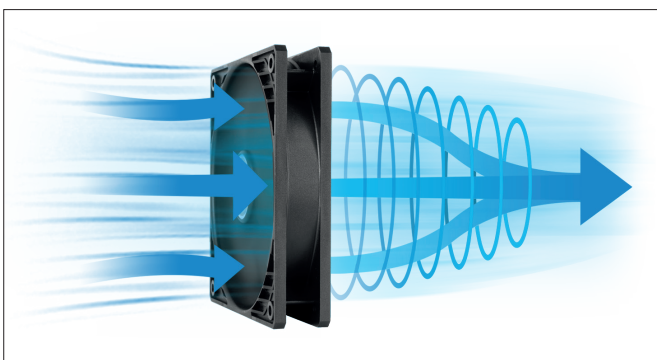
- Optimised for static pressure
- Ideal choice on heatsinks, radiators and (partly-) covered case vents
- Newly developed, very quiet motor
- Wide RPM range
- Extended life span
- High Quality Bearing
- PWM signal adjusts fan speed
- Push- or pull-configuration



The P8 PWM features completely redesigned fan blades and is optimised for high static pressure. Thanks to this, it is especially effective when used on heatsinks and in situations with higher air resistance. The wide RPM range from 200 to 3.000 RPM can be regulated steplessly via PWM. The newly developed motor with a low coil temperature significantly increases the life span of the fan. Therefore we have extended the warranty to 10 years.

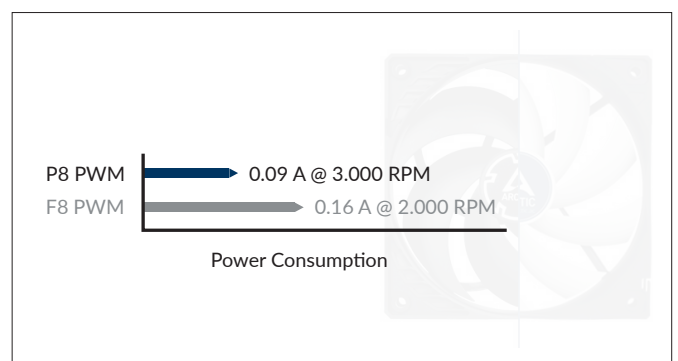
### Specifications

Fan	80 mm, 3.000 RPM
Airflow	23.4 CFM/40.3 m <sup>3</sup> /h (@ 3.000 RPM)
Static Pressure	1.9 mm H <sub>2</sub> O (@ 3.000 RPM)
Noise Level	0.3 Sone (@ 3.000 RPM)
Bearing	Fluid Dynamic Bearing
Current/Voltage	0.09 A/+12 V DC
Connector	3-pin Connector
Dimensions	80 (L) x 80 (W) x 25 (H) mm
Weight	78.5 g



### Optimised for Static Pressure

During the development of the new P8 PWM, special emphasis was placed on a focused airstream and thus a high static pressure. The fan guarantees extremely efficient cooling, even with increased air resistance. Therefore, the P8 PWM is particularly suitable for use on heatsinks and radiators.



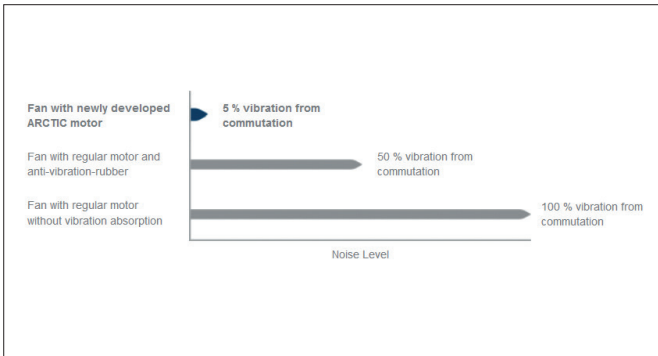
### More Efficient Technology

The motor is powered by a Neodym-Iron-Boron-Magnet ring of the newest generation, which allows the new P8 PWM to run much more efficiently than its predecessors. This saves energy and lowers the coil temperature without compromising the performance.

# P8 PWM



## Pressure-optimised 80 mm Fan with PWM PST

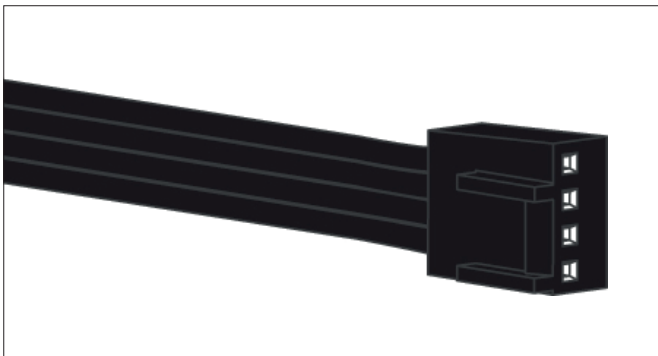


### Maximum Quietness, Minimum Vibration

Even at low speeds the operating sound of the new ARCTIC motor is barely noticeable. Due to a sinus-magnetizing the new motor only creates about 5% of the vibration from commutation of a regular DC-motor without filter. Consequently, there is no need for rubber spacers due to the steady and smooth torque of the new motor.

### Extended Life Span

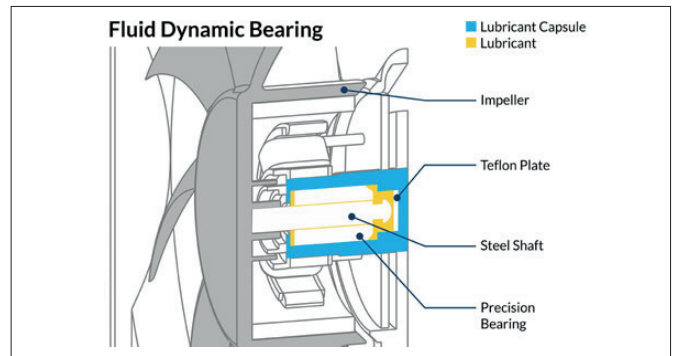
A lower motor temperature ensures a long service life of a fan. The new ARCTIC motor has a lower coil temperature than its predecessors and most competitors. Consequently, we have extended the warranty to 10 years.



### 200 to 3.000 RPM regulated via PWM PST

Thanks to the 4-pin connector, the RPM can be regulated in a broad spectrum via PWM.

In this way, noise is kept at a minimum while maximum cooling performance is guaranteed when needed.



### High Quality Bearing

Thanks to an alloy/lubricant combination developed in Germany, friction within the bearing is reduced and greater efficiency is achieved. As a result, there is less heat development as well as less bearing noise, which means you can enjoy a longer service life from your fan.



Product Information



Manual